

TECHNICAL DATA SHEET

LED Track Light / EN-TLJ008-01

VERSION - 01.09.2017

STANDARD LUMINAIRE

Reference	EN-TLJ008-01
Power	8 W
Current	200 mA
Protection Class	IP20
Dimensions	<i>3-pin track: ø58 x Ht.124.3mm</i> <i>4-pin track: ø58 x Ht.120.4mm</i>
Voltage	AC220-240V, 50-60Hz
Led Type	Luminus Cob Led
CRI	80+ OR 90+
Beam Angle	10° or 20°
Dimmable	NO
Installation	Track or Surface-Mounted
Working T°	-20°C ~ +45°C
Warranty	5 years

MAIN FEATURES:

- A combination of perfectly developed lens and reflector provide high precision light distribution
- Track head rotates through 355° and pivots through 90°

APPLICATION:

- The Quasar design makes the light look very unique in galleries, sales or commercial applications.



FINISH

Standard White, Black, Silver

ON REQUEST

CRI	80+, 90+
Beam Angle	10° or 20°
Installation Type	On 3-pin track On 4-pin track Surface-Mounted

COLOR TEMPERATURE & LUMINOUS FLUX

EN-TLJ008-01

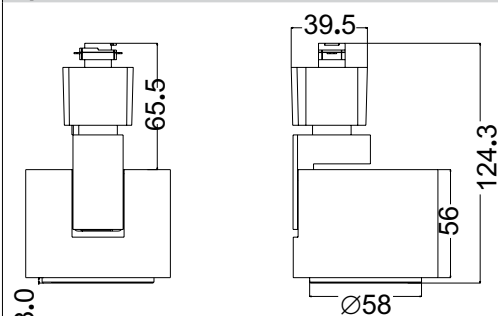
2'700K	3'000K	4'000K	5'000K
525 lm ±5%	600 lm ±5%	644 lm ±5%	672 lm ±5%

CERTIFICAT

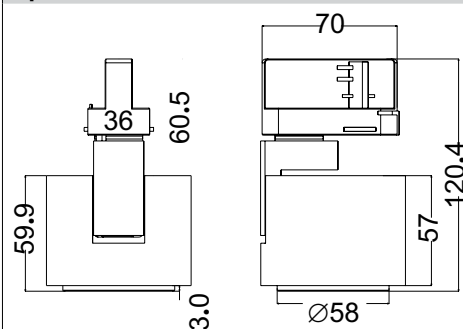
CE

TECHNICAL DRAWINGS

3-pin track



4-pin track



AGABEKOV



AGABEKOV SA Manufacture 6, ROUTE DE COMPOIS
CH-1222 VÉSENAZ - GENEVA - SWITZERLAND
Tel. +41 22 752 47 45 Fax. +41 22 752 37 08
E - mail: info@aaabekov.com



AGABEKOV SA Bureau d'etudes 6, ROUTE DE COMPOIS
CH-1222 VÉSENAZ - GENEVA - SWITZERLAND
Tel. +41 22 752 47 45 Fax. +41 22 752 37 08
Internet: www.aaabekov.com

