

TECHNICAL DATA SHEET

LLNAL IP65 / Aga-Led® Type B

VERSION - 06.01.2017

STANDARD LUMINAIRE

Reference	LLNAL
Protection Class	IP65
Lighting Source	Aga-Led® Type B
Connector	Rigid Loop on B'Light conductor 16mm ²
Dimensions	65 x 39mm
Lenght standard	490 - 985 - 1480 - 1975mm
Lenght on measure	on request up to 2965mm
Nb Lighting Unit	17 LED/m
Voltage	24V
Power	With B3: 16.32W/m - With B6: 20.4W/m
Connecting Cable	Both side: 20cm standard cable 2x2.5mm ²
End Caps	EV

FINISH

Color Finishing Profil

Standard	Natural Anodised Aluminium
On request	Thermo-enameling
	Powder Coating RAL
	Color Anodising
	Polished Aluminium Chrome Aspect
	Polished Aluminium Gold Aspect

Glass Finishing

Standard	VP: Clear Glass
On request	VPO: Opaline

ON REQUEST

Fixation	FLP Series
Grid	GLA / GLB or GTC / GTD
Other	AP : Anti-Pigeon Protection (Ht: +58mm)
Connecting Plug	AMS / AF or AMS-E / AF-E(IP68)
Dimming Option	1-10V, Dali, KNX
	Ask technical departement for more information

LIGHTING SOURCE

Lighting Source	Aga-Led® Type B - Generation 2	
Ref	B3	B6
Power	0.96W	1.2W
Voltage	24V	24V
Beam Angle	120°	120°
CRI	80	80
Lifetime	50'000h	
Working T°	-20°C to +45°C	

Environmental protection Modified acrylate resin

Color Temperature & Luminous Flux / Unit

	2200K	2400K	2700K	3000K	4000K
Aga-Led® B3-G2	--	97 lm	137lm	137lm	137lm
Aga-Led® B6-G2	129 lm	140 lm	166 lm	166 lm	166 lm

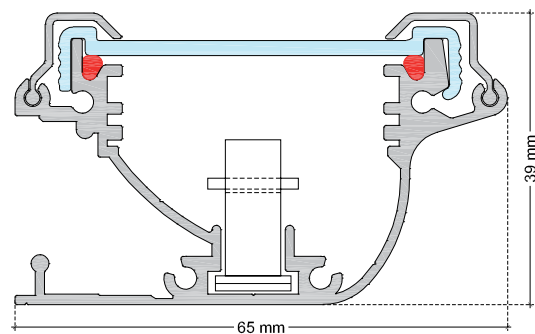
CERTIFICAT



APPLICATION: FACADE LIGHTING

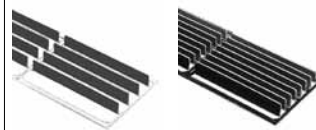


LLNAL / AGA-LED® TYPE B - Rigid Loop



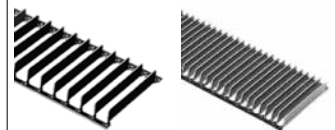
ON REQUEST: Longitudinal Grid

Simple: GLA Double: GLB

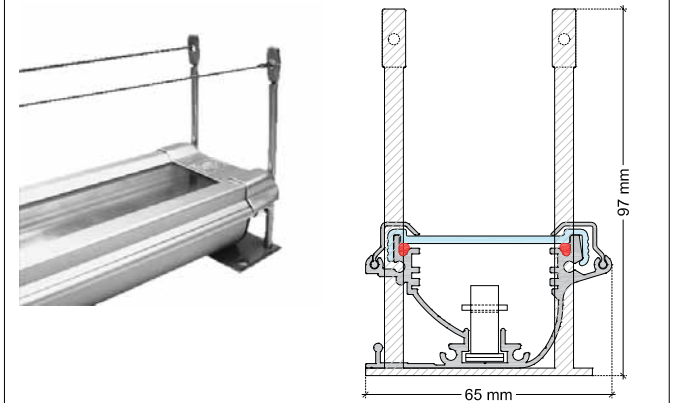


ON REQUEST: Transversal Grid

Simple: GTC Double: GTD



ON REQUEST: Anti Pigeon protection



ON REQUEST: Connecting Plug

AF/AMS



AF-E/AMS-E (IP68)



AGABEKOV



AGABEKOV SA Manufacture 6, ROUTE DE COMPOIS
CH-1222 VÉSENAZ - GENEVA - SWITZERLAND
Tel. +41 22 752 47 45 Fax. +41 22 752 37 08
E - mail: info@agabekov.com



AGABEKOV SA Bureau d'etudes 6, ROUTE DE COMPOIS
CH-1222 VÉSENAZ - GENEVA - SWITZERLAND
Tel. +41 22 752 47 45 Fax. +41 22 752 37 08
Internet: www.agabekov.com

