

TECHNICAL DATA SHEET

LU4TX IP68 / Xenon

VERSION - 2.06.2016

STANDARD LUMINAIRE

Reference	LU4TX68
Protection Class	IP68 - 1meter
Lighting Source	Xenon - Max 3W
Connector	Rigid Loop on B'Light conductor 16mm ²
Dimensions	ø35mm
Lenght standard	135 - 520 - 1015 - 1510mm
Lenght on measure	on request up to 1510mm
Nb Lighting Source	17 Bulbs/m
Voltage	24V
Power	51 W/m
Connecting Cable	Two Sides: 200mm Standard cable 2x4mm ²
End Caps	RECS

FINISH

Color Finishing Profil

Standard	Polycarbonate <i>Not suitable for swimming-pool or chlorine environment</i>
----------	--

ON REQUEST

Fixation	FL (Width:+7mm - Ht:+10mm)
Connecting Plug	AMS / AF or AMS-E / AF-E
Dimming Option	1-10V, Dali, KNX <i>Ask technical departement for more information</i>

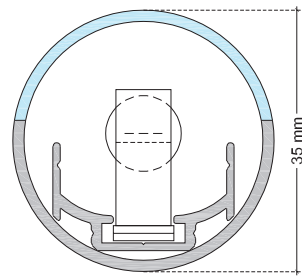
LIGHTING SOURCE

Lighting Source	Xenon Long Life
Glass	Clear or Frosted
Power	3W
Voltage	24V
Beam Angle	360°
Color Temperature	2300K
Light Output lm/unit	12.6lm
Lifetime	20'000h

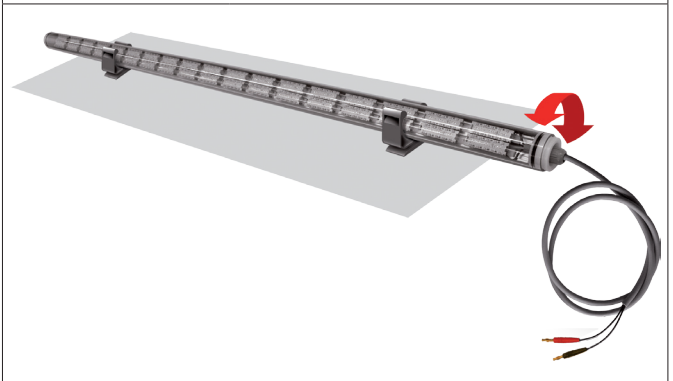
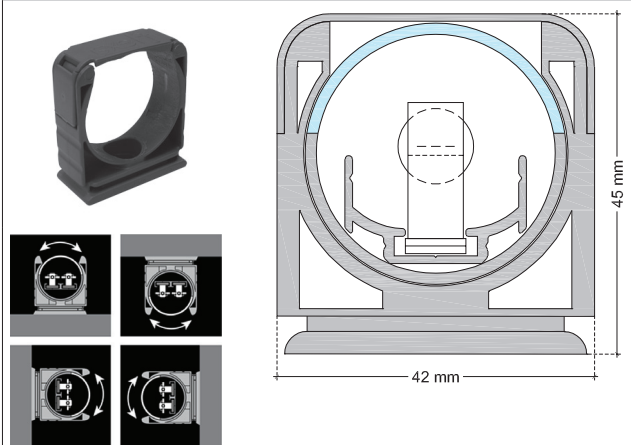
CERTIFICAT



LU4TX68 / Xenon - Rigid Loop



ON REQUEST: LU4T68 Fixation



ON REQUEST: Connecting Plug

AF/AMS



AF-E/AMS-E (IP68)

