

TECHNICAL DATA SHEET

LAPL IP65 / Aga-Power-Led® RGB

VERSION - 04.09.2015

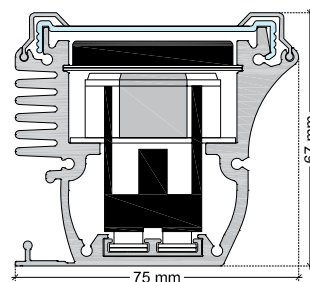
STANDARD LUMINAIRE

Reference	LAPL
Protection Class	IP65
Lighting Source	Aga-Power-Led® RGB
Connector	Festoon on B'Light conductor 16mm ²
Dimensions	75 x 67mm
Standard Length	110 - 495 - 990 - 1485 - 1980mm
Length on measure	on request up to 2970mm
Nb Lighting Unit	17 LED/m
Voltage	24V
Power	54.4 W/m
Connecting Cable	One Side: 1m cable PUR 4x0.75mm ²
Grid	Anti Glare: GAP
End Caps	EFLA

APPLICATION: Upward Lighting for Walls, Facades, Columns



LAPL / AGA-POWER-LED® RGB - Festoon



FINISH

Color Finishing Profil

Standard	Natural Anodised Aluminium
On request	Thermo-enameling Powder Coating RAL Color Anodising Polished Aluminium Chrome or Gold Aspect

Glass Finishing

Standard	Clear Glass
----------	-------------

ON REQUEST

Fixation	FLP Series
Recessed Box	See Data Sheet RAPI Luminaire
Connecting Plug	AMS / AF or AMS-E / AF-E (IP68)
Dimming Option	Dali, KNX <i>Ask technical departement for more information</i>

ON REQUEST

Connecting plug AF/AMS



Connecting plug AF-E/AMS-E (IP68)



LIGHTING SOURCE

Lighting Source	Aga-Power-Led® RGB		
Ref	03LP22_ RGB		
Voltage	24V		
Power	3.2W		
Beam Angle	120°		
CRI	80		
Light Output - lm/Unit	Red 28 ~ 34lm	Green 47 ~ 52lm	Blue 16 ~ 21lm
Lifetime/L70 at 25°	60'000h / 50'000h		
Working T°	-30°C ~ +50°C		

CERTIFICAT

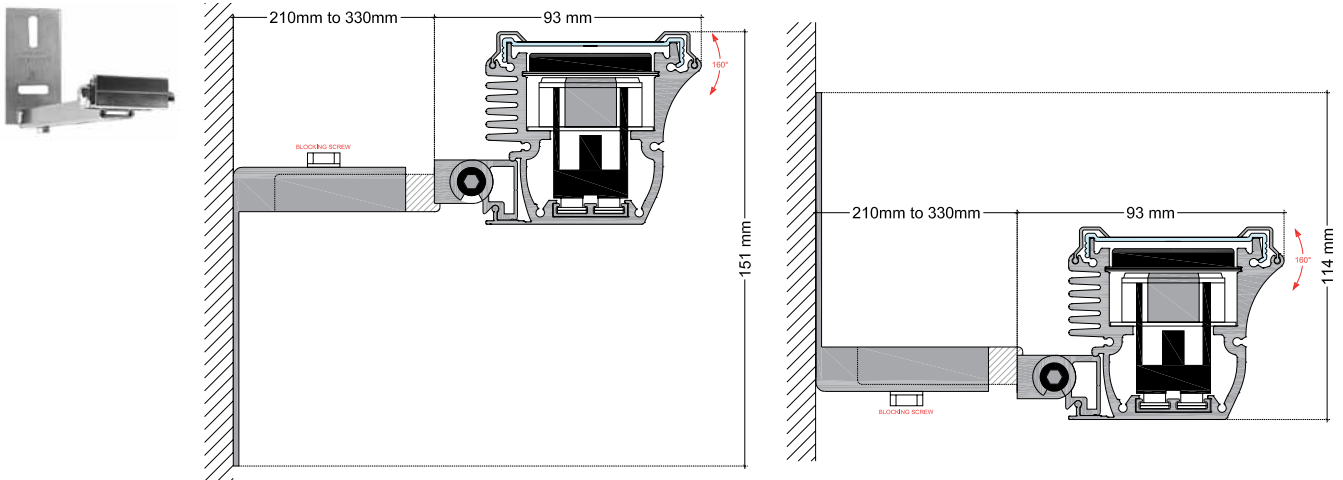


TECHNICAL DATA SHEET

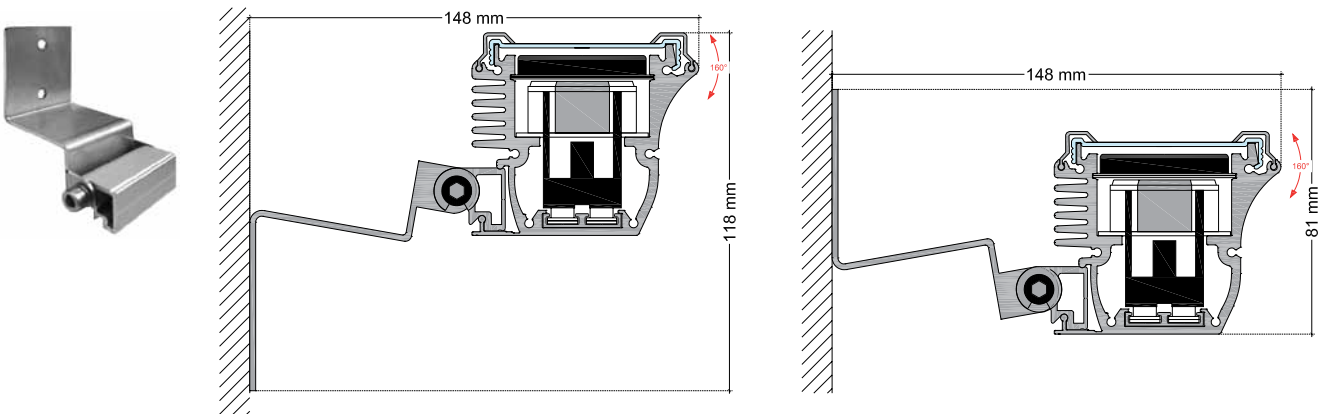
LAPL + FLP SERIES

VERSION - 01.09.2015

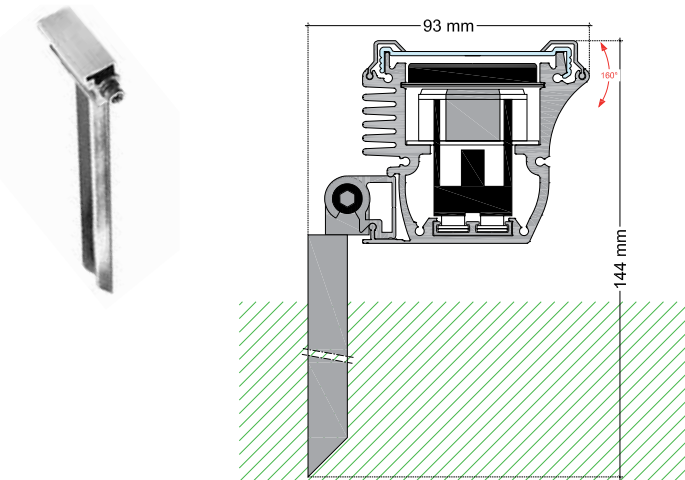
FLP2



FLP3

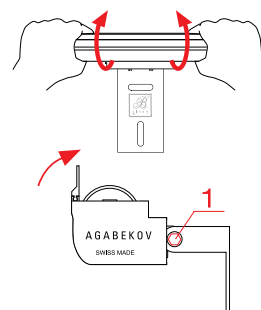


FLPJ

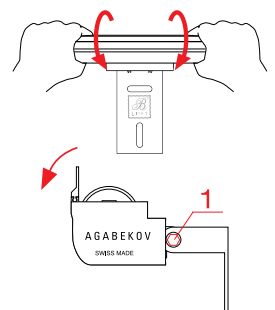


To unclip and clip the luminaire, lock the 'imbus' screw (1) and tilt the luminaire as shown on the drawings.

CLIP



UNCLIP



AGABEKOV



AGABEKOV SA Manufacture 6, ROUTE DE COMPOIS
CH-1222 VÉSENAZ - GENEVA - SWITZERLAND
Tel. +41 22 752 47 45 Fax. +41 22 752 37 08
E-mail: info@agabekov.com



AGABEKOV SA Bureau d'etudes 6, ROUTE DE COMPOIS
CH-1222 VÉSENAZ - GENEVA - SWITZERLAND
Tel. +41 22 752 47 45 Fax. +41 22 752 37 08
Internet: www.agabekov.com

