

TECHNICAL DATA SHEET

LAVTSAL IP20 / Aga-Led® Type B

VERSION - 21.09.2015

STANDARD LUMINAIRE

Reference	LAVTSAL
Protection Class	IP20
Lighting Source	Aga-Led® Type B
Connector	Festoon on B'Light conductor 16mm ²
Dimensions	340 x 208mm
Standard Length	670 - 1000mm
Length on measure	up to 3035mm
Nb Lighting Source	16 LED/m
Voltage	24V
Power	19.2 W/m
Connecting Cable	Both tige : 1m standard cable 2x1.5mm ²
Fixation	2 x (TIGE-8mm + BFTV-8mm)/m + Plexiglass
End Caps	EAV
Anti Glare Visor	VAE

FINISH

Color Finishing Profil

Standard	Natural Anodised Aluminium
On request	Thermo-enameling Powder Coating RAL Color Anodising Polished Aluminium Chrome or Gold Aspect

ON REQUEST

Fixation	BFTH-8mm ALTR - Power Supply included
Cover	Wood Line
Dimming Option	1-10V, Dali, KNX Ask technical departement for more information

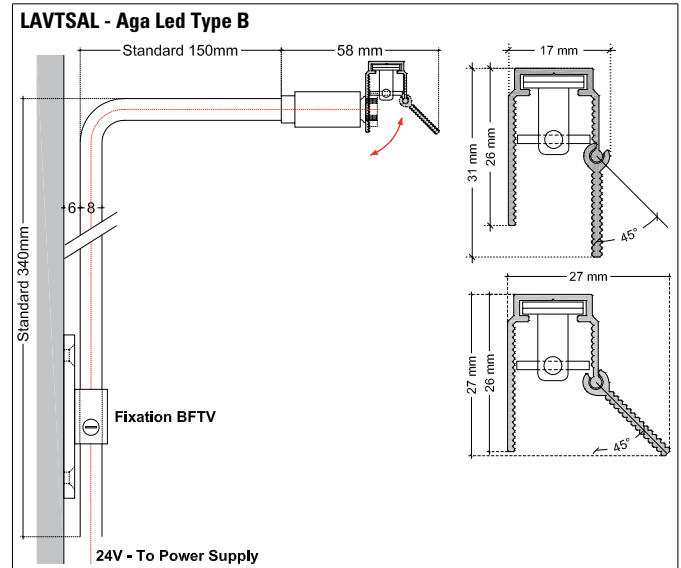
LIGHTING SOURCE

Lighting Source	Aga-Led® Type B - Generation 2				
Ref	B2	B3	B4	B6	
Voltage	24V	24V	24V	24V	
Power	1.2W	0.96W	1.2W	1.2W	
Beam Angle	120°	120°	120°	120°	
CRI	80	80	80	80	
Color Temperature	lm/Unit				
	2000K	40 ~ 68	40 ~ 82	46 ~ 78	70 ~ 118
	2400K	48 ~ 81	58 ~ 97	55 ~ 93	83 ~ 140
	2800K	68 ~ 114	82 ~ 137	66 ~ 111	99 ~ 166
	4000K	68 ~ 114	82 ~ 137	66 ~ 111	99 ~ 166
Lifetime / L70 at 25°	50'000h / 36'000h				
Working T°	-20°C to +45°C				
Environmental protection	Modified acrylate resin				

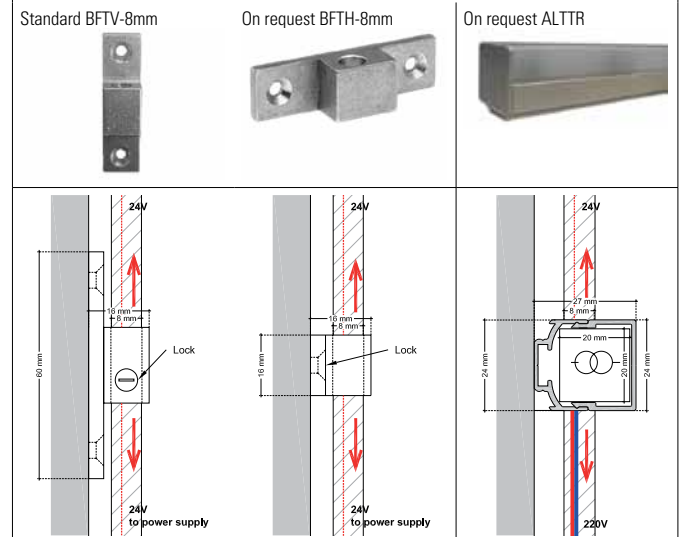
CERTIFICAT



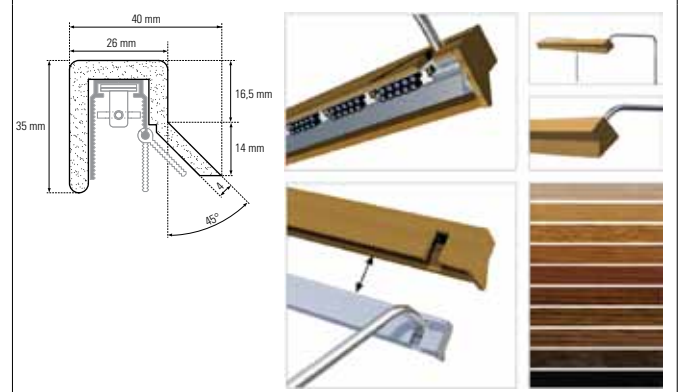
APPLICATION: PICTURE LIGHTING



FIXATION - (Detail A)



COVER - WOOD LINE



AGABEKOV



AGABEKOV SA Manufacture 6, ROUTE DE COMPOIS
CH-1222 VÉSENAZ - GENEVA - SWITZERLAND
Tel. +41 22 752 47 45 Fax. +41 22 752 37 08
E - mail: info@aaabekov.com



AGABEKOV SA Bureau d'etudes 6, ROUTE DE COMPOIS
CH-1222 VÉSENAZ - GENEVA - SWITZERLAND
Tel. +41 22 752 47 45 Fax. +41 22 752 37 08
Internet: www.aaabekov.com

