

## TECHNICAL DATA SHEET

### LL3AL IP65 / Aga-Led® Type B

VERSION - 01.09.0215

#### STANDARD LUMINAIRE

|                   |   |
|-------------------|---|
| Reference         | LL3AL   |
| Protection Class  | IP65  |
| Lighting Source   | Aga-Led® Type B                                     |
| Connector         | Rigid Loop on B'Light conductor 16mm <sup>2</sup>   |
| Dimensions        | 53 x 38mm   |
| Length standard   | 495 - 990 - 1485 - 1980mm                           |
| Length on measure | on request up to 2970mm                             |
| Nb Lighting Unit  | 17 LED/m  |
| Voltage           | 24V   |
| Power             | 20.4 W/m  |
| Connecting Cable  | Both Side: 20cm standard cable 2x2.5mm <sup>2</sup> |
| End Caps          | EL3   |

#### FINISH

##### Color Finishing Profil

|            |  |
|------------|--|
| Standard   | Natural Anodised Aluminium               |
| On request | Thermo-enameling                         |
|            | Powder Coating RAL                       |
|            | Color Anodising                          |
|            | Polished Aluminium Chrome or Gold Aspect |

##### Glass Finishing

|            |                  |
|------------|------------------|
| Standard   | VAT: Clear Glass |
| On request | VAO: Opaline     |

#### ON REQUEST

|                 |   |
|-----------------|---|
| Fixation        | FLP Series                                    |
| Grid            | GLA / GLB or GTC / GTD                        |
| Other           | CF : Front Visor                              |
| Connecting Plug | AMS / AF or AMS-E / AF-E                      |
| Dimming Option  | 1-10V, DALI, KNX                              |
|                 | Ask technical department for more information |

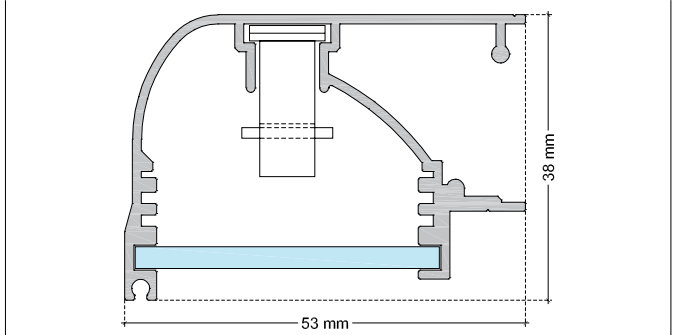
#### LIGHTING SOURCE

|                          |                                |          |          |          |          |
|--------------------------|--------------------------------|----------|----------|----------|----------|
| Lighting Source          | Aga-Led® Type B - Generation 2 |          |          |          |          |
| Ref                      | B2                             | B3       | B4       | B6       |          |
| Voltage                  | 24V                            | 24V      | 24V      | 24V      |          |
| Power                    | 1.2W                           | 0.96W    | 1.2W     | 1.2W     |          |
| Beam Angle               | 120°                           | 120°     | 120°     | 120°     |          |
| CRI                      | 80                             | 80       | 80       | 80       |          |
| Color Temperature        | lm/Unit                        |          |          |          |          |
|                          | 2000K                          | 40 ~ 68  | 40 ~ 82  | 46 ~ 78  | 70 ~ 118 |
|                          | 2400K                          | 48 ~ 81  | 58 ~ 97  | 55 ~ 93  | 83 ~ 140 |
|                          | 2800K                          | 68 ~ 114 | 82 ~ 137 | 66 ~ 111 | 99 ~ 166 |
|                          | 4000K                          | 68 ~ 114 | 82 ~ 137 | 66 ~ 111 | 99 ~ 166 |
| Lifetime / L70 at 25°    | 50'000h / 36'000h              |          |          |          |          |
| Working T°               | -20°C to +45°C                 |          |          |          |          |
| Environmental protection | Modified acrylate resin        |          |          |          |          |

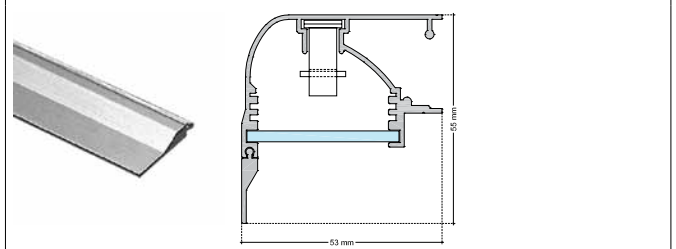
#### APPLICATION: DOWNWARDS FACADE LIGHTING



#### LL3AL / AGA-LED® TYPE B - Rigid Loop



#### LL3AL + CF



#### ON REQUEST

##### Connecting plug AF/AMS



##### Connecting plug AF-E/AMS-E



#### CERTIFICAT



#### AGABEKOV



AGABEKOV SA Manufacture 6, ROUTE DE COMPOIS  
CH-1222 VÉSENAZ - GENEVA - SWITZERLAND  
Tel. +41 22 752 47 45 Fax. +41 22 752 37 08  
E - mail: info@aaabekov.com



AGABEKOV SA Bureau d'études 6, ROUTE DE COMPOIS  
CH-1222 VÉSENAZ - GENEVA - SWITZERLAND  
Tel. +41 22 752 47 45 Fax. +41 22 752 37 08  
Internet: www.aaabekov.com

