

## TECHNICAL DATA SHEET

### LU4TAL IP66 / Aga-Led® Type B

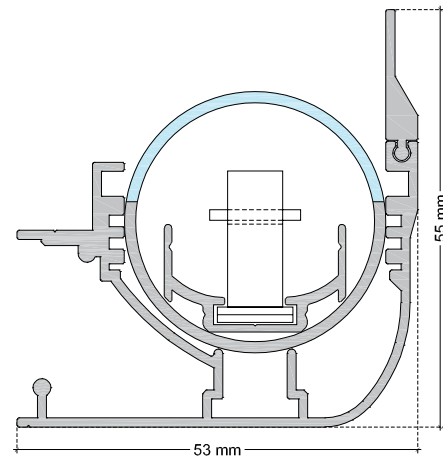
VERSION - 11.03.2015

#### STANDARD LUMINAIRE

|                    |   |
|--------------------|---|
| Reference          | LU4TAL66  |
| Protection Class   | IP66  |
| Lighting Source    | Aga-Led® Type B   |
| Connector          | Rigid Loop  |
| Size - mm          | 53 x 55   |
| Length on measure  | 185mm to 2990mm   |
| Nb Lighting Source | 16 LED/m  |
| Voltage            | 24V   |
| Power              | 19.2 W/m  |
| Connecting Cable   | One Side: 1m cable Silicone 180° 2x1.5mm²<br>+ water stop |
| End Caps           | EL3   |



LU4TAL66 / AGA-LED® TYPE B - Rigid Loop



#### FINISH

##### Color Finishing Profil

|            |  |
|------------|--|
| Standard   | Natural Anodised Aluminium   |
| On request | Thermo-enameling<br>Power Coating RAL<br>Color Anodising<br>Chromium or Gold plating |

#### ON REQUEST

|          |  |
|----------|--|
| Fixation | FLP Series   |
| Dimmable | YES (1-10V, Dali, DMX, KNX)<br><i>Ask technical departement for more information</i> |

#### LIGHTING SOURCE

|                        |                                |          |          |          |
|------------------------|--------------------------------|----------|----------|----------|
| Lighting Source        | Aga-Led® Type B - Generation 2 |          |          |          |
| Ref                    | B2                             | B3       | B4       | B6       |
| Voltage                | 24V                            | 24V      | 24V      | 24V      |
| Power                  | 1.2W                           | 0.96W    | 1.2W     | 1.2W     |
| Beam Angle             | 120°                           | 120°     | 120°     | 120°     |
| CRI                    | 80                             | 80       | 80       | 80       |
| Light Output - lm/Unit |                                |          |          |          |
| 2000K                  | 40 ~ 68                        | 40 ~ 82  | 46 ~ 78  | 70 ~ 118 |
| 2400K                  | 48 ~ 81                        | 58 ~ 97  | 55 ~ 93  | 83 ~ 140 |
| 2800K                  | 68 ~ 114                       | 82 ~ 137 | 66 ~ 111 | 99 ~ 166 |
| 4000K                  | 68 ~ 114                       | 82 ~ 137 | 66 ~ 111 | 99 ~ 166 |

Lifetime at 25° 50'000h

L70 at 25° 36'000h

Working T° -20°C ~ +40°C

Moisture resistant due to conformal silicone coated

#### CERTIFICAT



#### AGABEKOV



**AGABEKOV SA Manufacture** 6, ROUTE DE COMPOIS  
CH-1222 VÉSENAZ - GENEVA - SWITZERLAND  
Tel. +41 22 752 47 45 Fax. +41 22 752 37 08  
E - mail: info@aaabekov.com



**AGABEKOV SA Bureau d'etudes** 6, ROUTE DE COMPOIS  
CH-1222 VÉSENAZ - GENEVA - SWITZERLAND  
Tel. +41 22 752 47 45 Fax. +41 22 752 37 08  
Internet: www.aaabekov.com



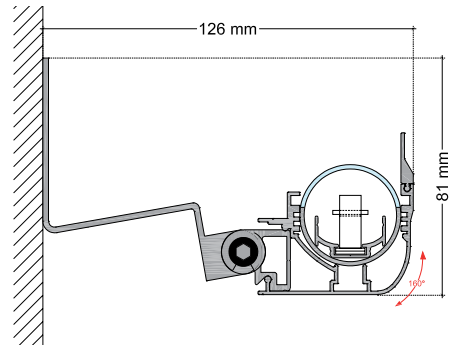
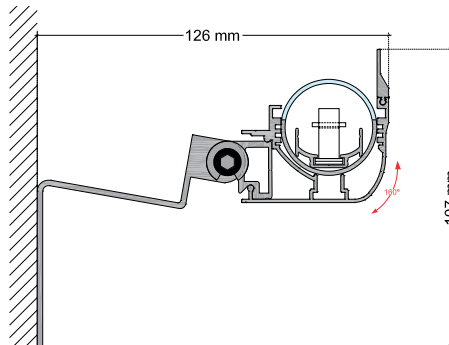


## TECHNICAL DATA SHEET

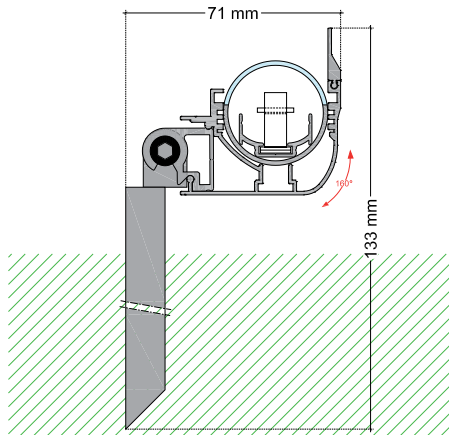
### LU4TAL66 + FLP SERIES

VERSION - 04.03.2015

#### FLP3

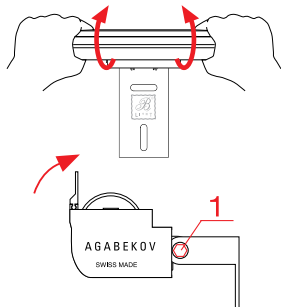


#### FLPJ



To unclip and clip the luminaire, lock the 'imbus' screw (1) and tilt the luminaire as shown on the drawings.

#### CLIP



#### UNCLIP

